

SL260

THE SL260 NOTHING COMPARES



STAGE
LINE





STAGELINE ADVANTAGES

STAGELINE, THE SPECIALISTS FOR OVER 35 YEARS IN DESIGNING, PRODUCING AND DELIVERING THE SAFEST AND MOST INNOVATIVE MOBILE STAGES TO OUTDOOR EVENTS.

- Most requested mobile stage in its category
- Holds the market lead in rigging & wind resistance
- Built to last 25 years and more
- Outstanding payback and great resale value

SL260



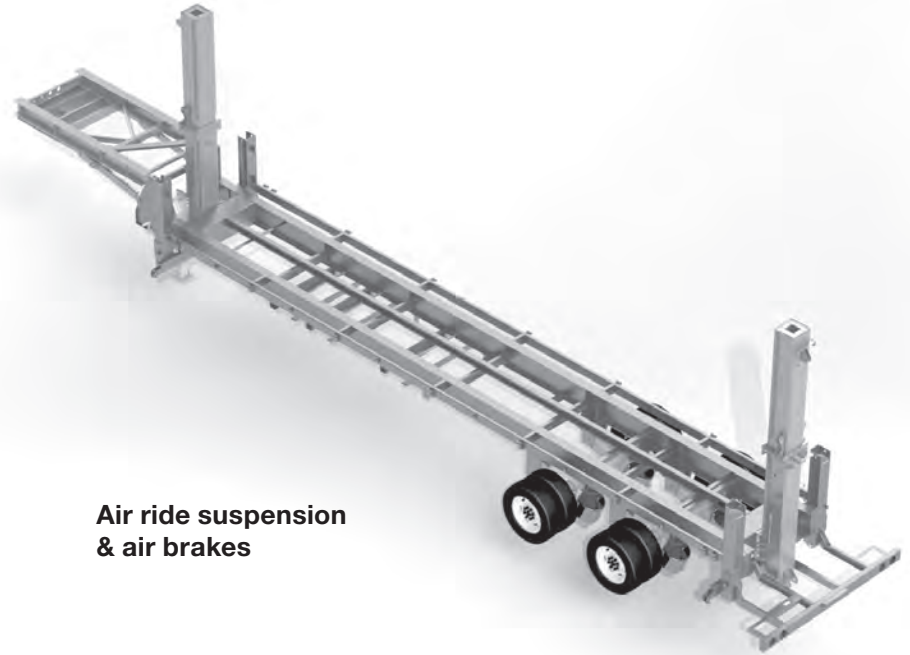
Photo: Luminuum

IT ALL STARTS ON THE ROAD

STAGELINE MOBILE STAGES ARE ENGINEERED FOR THE ROAD.

Before its main usage as an outdoor stage, a mobile stage must perform as a road legal trailer. Stageline advanced design combines a custom chassis with multiple hinged panels and telescoping structures that will not alter in performance from mileage and bad roads. It results in excellent road handling and safety year after year.

Countless tours such as the Warp Tour used this model for over 20 years in North America. The SL260 is the preferred touring stage for the Olympic Torch Relays since 1996 and has travelled in 5 continents.



**Air ride suspension
& air brakes**



Hydraulic gooseneck



Photo: DF Motion

A HIGH PERFORMANCE STAGE

WITH A COMPLETE HYDRAULIC SET UP

- Fast and controlled operations
- Precision designed cylinders with safety block valves
- Low maintenance

1



Level trailer & raise gooseneck.

2



Hydraulically deploy the floor and roof panels.

3



Hang sound, lighting, banners, windwalls and sets at ground and deck level.

4



Raise the roof with up to 12,000 lb (5,443 kg) of show equipment.

Install stairs, guardrails and add accessories.





Photo: ASK Media Productions

AT A GLANCE

FLOOR

32' x 24' (9.8 m x 7.3 m) up to
56' x 32' (17.1m x 9.8m) with
extension platforms

SET-UP

 2 technicians*
 1 hour

WIND RESISTANCE

115 mph (185 km/h)
without windwalls
77 mph (123 km/h)
with windwalls

RIGGING

18,500 lb (8,391 kg)

* Stageline promotes safe working habits by having a minimum of two workers on every job site.

SHOWCASE YOUR SPONSORS & EVENTS

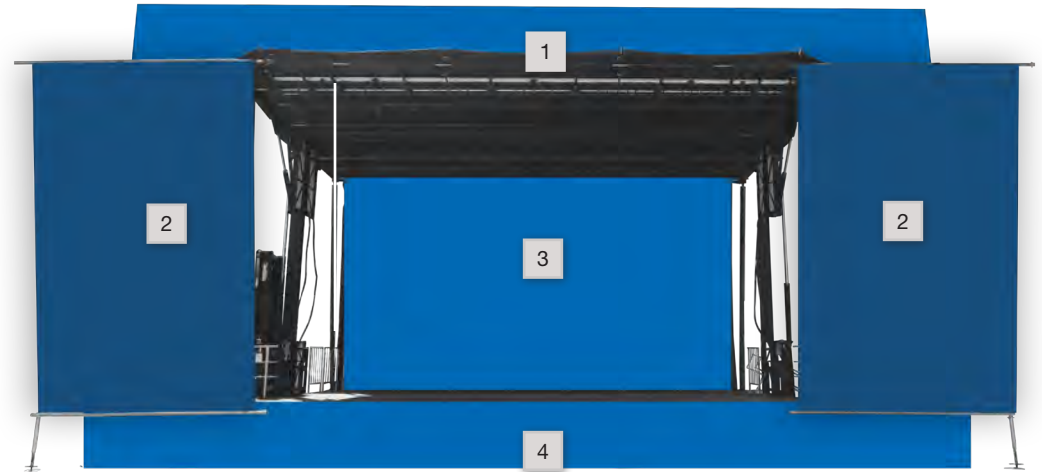
On the road trailer wrap advertising panels

24' x 7' (7 m X 2 m) - rivet-free panels with gel coating that improve graphics application and appearance.



MAXIMUM BANNER SPACE

- 1 Top banner 37' x 4' (11 m x 1.2 m)
- 2 2 Side banners 6' x 16' (1.8 m x 5 m)
- 3 Backdrop 23' x 13' (7.1 m x 4 m)
- 4 Skirt 40' x 4' (12.2 m x 1.4 m)





Hard Rock
STADIUM

SUPER BOWL

SUPER BOWL LIV

NFC
CHAMPIONS



FANS FIRST!

AFC
CHAMPIONS



LIV
SUPER BOWL

100



SAFE & EFFICIENT INSTALLATION

1 A DOUBLE MAST LIFTING MECHANISM TO RAISE THE ROOF AND SHOW SUPPORT EQUIPMENT UP TO 12,000 LB (5,443 KG)

A set of sturdy masts lifts and lowers the roof and show support equipment with balanced or unbalanced loads, even in windy conditions.

2 HEAVY DUTY STABILIZERS WITH A 2' ADJUSTABLE HEIGHT FOR LEVELLING (FROM 3,6" TO 5,6" / 0,9 M TO 1,7 M)

The SL260 can be installed on uneven terrain due to the heavy duty stabilizers that can withstand high lateral loads.



COVERED WINGS



SET-UP



2 technicians*



2.5 hour

SPECIFICATIONS

Roof: clearance 12'-9" to 6'-10" (3.9 m to 2.1 m)

Deck capacity: Rated at 100 lb/sq. ft (500kg/m²)

Weatherproof fire retardant windwalls

OPTIONAL

Scrim windows: 48" x 24" (1.2 m x 0.6 m)

Doors: 72" x 84" (1.8 m x 2.1 m), 42" x 84" (1.1 m x 2.1 m)

* Stageline promotes safe working habits by having a minimum of two workers on every job site.



SCREEN SUPPORT

4,500 lb (2,040 kg) capacity.

Installs from the ground directly to the roof. No need for additional trussing or machinery.

Size: 17' 6" (5,34 m) wide x 14' 7" (4,46 m) Height

Suggested screen sizes : 16' x 12' (4,8 m x 3,6 m) or 12' x 9' (3,6 m x 2,7 m)

A TOUGH MACHINE THAT BEATS THE WEATHER

HIGHEST WIND RESISTANCE IN THE INDUSTRY

Rain and wind protection up to:

- **115 mph (185 km/h)** without windwalls
- **77 mph (123 km/h)** with PVC windwalls

Rain or shine, sand or snow

Stageline mobile stages are built to be operated under the most demanding outdoor conditions.

The SL260 is engineered and built based on the IBC (International building code) & NBC (National building code)

Exceeds AINSI standards



**SL260 IN
A SNOW STORM
AT MONTRÉAL
EN LUMIÈRE**

Photo: Peter Ryaux-Larsen – Montréal en Lumière

MAXIMUM WEATHER PROTECTION

A STAGE DESIGNED TO MANAGE WINDY CONDITIONS

Sturdy windwalls

- 1 Fire retardant vinyl windwalls with a keeper track system preventing water infiltration to protect gear, talent and crew.

Protection on and off the road with a roof made of fiber glass.

- 2 In closed position, the roof panels of the stage become the side panels of a hardshell trailer. Wrapped around the frame they are structural and weather protective.*

* Blue in picture to highlight keeper track system and Fiber Lock wrap.

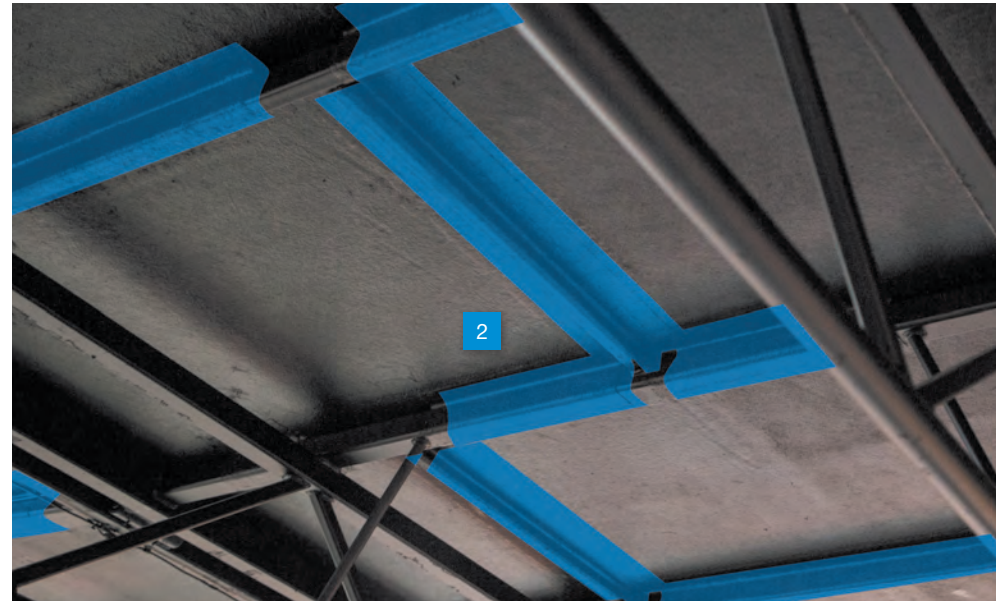
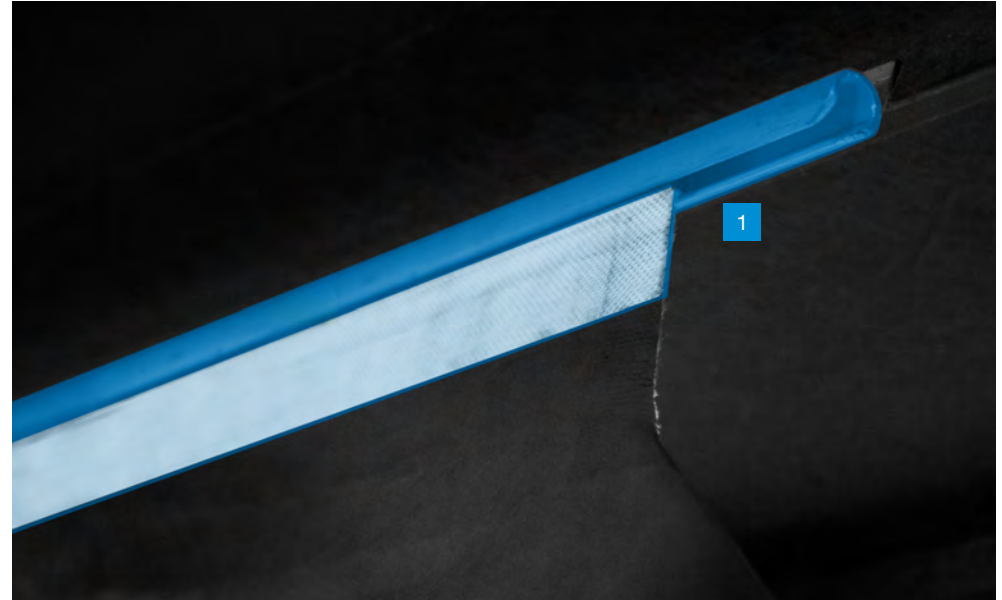




Photo: Peter Ryaux-Larsen



WHY THE INDUSTRY PREFERS STAGELINE

Most Widely used

More than 25,000 events per year in over 50 countries - an average of 68 events per day.

Craftsmanship and expertise

Every stage is built in-house and benefits from serious engineering and craftsmanship with experience gathered from decades of use in outdoor events.

Quality control and delivery

Each mobile stage goes through a complete inspection during manufacturing including load tests and complete installation prior to delivery.

Exceptional durability and reliability

Built to last 25 years and more with proper care and maintenance.

Provider of safe staging environments for over 30 years

Highest wind resistance - up to 115 mph (185 km/h) without windwalls and 77 mph (123 km/h) with windwalls. No incident causing an injury due to a breakdown of equipment.

Outstanding value

Low operation and maintenance cost. High resale value even after 10 years.

Certification

Each stage complies with road regulations. Stageline provides complete engineering certification for both structural design and rigging capacity for all countries. Certified documents available for each state and province of the US and Canada.

Environmentally responsible

All products are manufactured in Stageline's state of the art LEED® certified facility integrating the latest environmental technologies.

Award-winning

Our company and products have achieved high acclaim in the industry and have won several engineering and event industry awards.



CUSTOMER SERVICE

Customer Support

We provide a complete 24/7 after sales support.

Parts & Accessories

The best way to ensure that your Stageline mobile stage retains its original condition is to purchase your parts and accessories directly from Stageline.

Inspection & Maintenance

Like any sophisticated piece of equipment, a Stageline mobile stage requires basic maintenance throughout the year. This maintenance must be performed according to specific guidelines.

With this in mind, Stageline's engineers and experienced technicians have developed a unique inspection program. This program will give you a complete analysis of the condition of your equipment including a list of immediate repairs & recommendations.



Training

Driven by the need to ensure technical efficiency, Stageline developed a training and certification program which meets and even exceeds its clients' and users' requirements. Operation of a Stageline mobile stage by qualified personnel is directly linked with the enforceability of the warranty and is required to benefit from the technical support offered on all Stageline products.

With its training program, Stageline helps its users and clients increase profitability on their investment through an efficient utilization of the products.

The main goal is to develop the aptitudes and technical knowledge of the technicians in order to preserve the products' integrity and guarantee durability and maximum safety levels.

UNMATCHED ADDED VALUE

A STAGE THAT PAYS FOR ITSELF FOR GOOD REASONS:

Built to last over 25 years, this stage will help you maximize your benefits for years while endorsing a strong commitment to sustainability.

THIS STAGE COMES WITH THE HIGHEST RESIDUAL VALUE OF ANY MOBILE STAGE

It retains 50-75% of its value after 10 years

OFFERS A STRONG LEVERAGE ON YOUR OTHER SERVICES AND A QUICK RETURN ON INVESTMENT

STAGE CARE WARRANTY (TRANSFERABLE)

We are so confident in our staging technology that we offer the Stage Care Warranty that conveys a lasting assurance equal to none

- Full 1 year parts and labor
- 3 years on the chassis and structure
- 5 years on the fiber glass

MEET THOSE WHO OWN

PRODUCTION AND ENTERTAINMENT

“We love the thought and engineering that went into the SL series. Promoters, stagehands, lighting/sound designers, and everyday people who happen to see us setting up... always comment on how amazing and easy it is. The SL 260 is perfect for outdoor concerts in our rugged climate. When we build a stage, we are prepared to encounter thunderstorms, wind events, snow, as well as extreme heat. Our SL260 handles it all very well.”

**C.Yarbrough/
Rocky Mountain Rigging & Staging, AZ**

SAFETY AND VERSATILITY

The SL260 with covered wings is the most versatile stage in our fleet. It adds a level of performance, looks and protection from the elements like no other.

**Cory Cope/
Flyspace Productions, PA**

PRODUCTION AND ENTERTAINMENT

The best way to describe the SL260 is that it is the best designed Stageline product ever built. The design is innovative, simple, easy to use and the fastest to deploy in its class. The SL260 Series mobile stages are built strong, durable and offer great innovative ways for rigging that allows LDs to be creative with their designs due to the trim height and rigging capacity for such a compact stage. The optional covered wing gives the user more space and room for the artists as well as full weather protection

**Carlos Costa/
Band World Mobile Stages Inc., ON**

TECHNICAL SPECIFICATIONS

NOTABLE BENEFITS

Site Preparation

None

Mode of Transportation

1 Fifth-wheel tractor

Installation Time once Levelling Complete

1 Hour - Less without windwalls

Personnel Required

1 Certified technician and 1 stagehand

Gust Wind Resistance

115 mph (185 km/h) without windwall,
77 mph (123 km/h) with windwall

Promotional Visibility

Rolling billboard or multiple banner options

Windwalls*

Weatherproof - fire retardant vinyl or scrim
(blow-through material)

Floor Extension Platforms*

Integrated brackets - easy to install

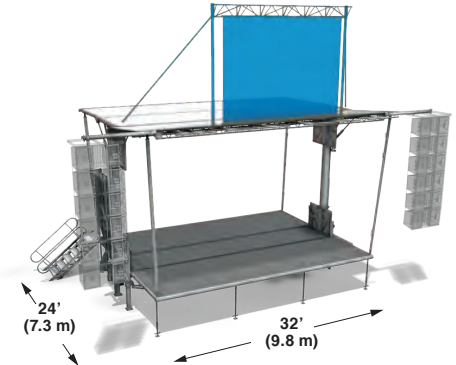
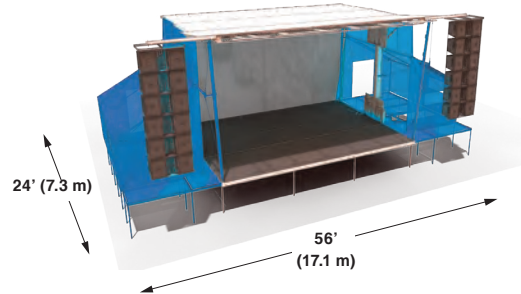
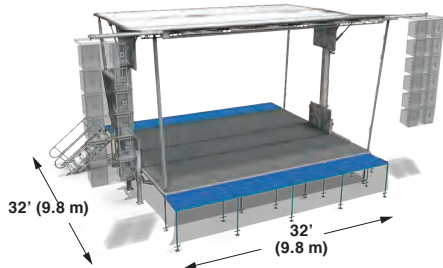
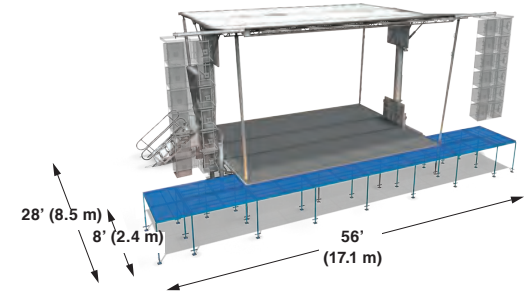
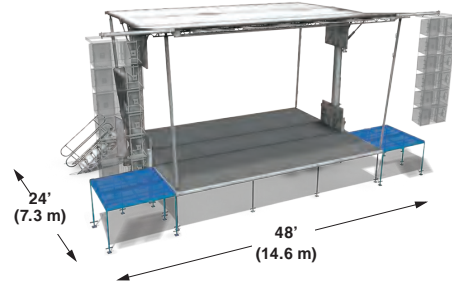
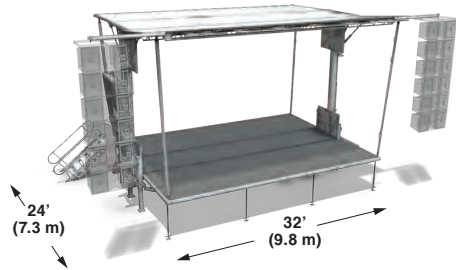
TRAILER		
Length	46' 3"	14.1 m
Width	8' 2"	2.5 m
Height	13' 2"	4.0 m
Weight	29,400 lb	13,335 kg
STAGE FLOOR		
Length and Depth	32' x 24'	9.8 x 7.3 m
Length and Depth w/ Extension Platforms	56' x 32'	17.1 x 9.8 m
Height	3' 6" to 5' 3"	1.1 x 1.6 m
Design Live Load	125 lb/ft ² (up to 150 lb/ft ²)	610 kg/m ² (up to 732 kg/m ²)
Type of Surface	Plywood on steel	
ROOF		
Length and Depth	34' 5" x 27' 7"	10.5 x 8.4 m
Clearance (Inclined roof)	20' to 17' 9"	6.1 m to 5.4 m
Maximum Height with Banner	30' 9"	9.4 m
Type of Surface	Fiberglass bonded on steel	
Lifting Capacity	12,000 lb	5,443 kg
Load Bearing Capacity	18,500 lb	8,391 kg
6 Rigging Points	1,000 lb (each)	454 kg (each)
4 Rigging Bars	30 lb/lin. ft	45 kg/lin. m
4 Trusses - Central Roof (2), Downstage & Upstage	2,000 lb (each) or 30 lb/lin. ft	907 kg (each) 45 kg/lin. m
2 Front Overhang Extensions - 4' 9" (1.4 m)	750 lb each at 42"	340 kg each at 1.1 m
2 Front Overhang Extensions - 8' (2.4 m)	350 lb each at 42"	159 kg each at 1.1 m
2 Lateral Overhang Rigging Beams	2,500 lb each at 6' 4"	1,134 kg each at 1.9 m
2 Line Array Rigging Beams*	2,000 lb (each)	907 kg (each)

* Optional

Values indicated are nominal. Due to STAGELINE'S product improvement policy, technical specifications may change without notice.



SOME FLOOR CONFIGURATIONS



827 L'Ange-Gardien Blvd., L'Assomption
Quebec, Canada J5W 1T3
1 450.589.1063 / North America 1 800.267.8243
stageline.com

MOBILE STAGES | SALES & RENTALS

